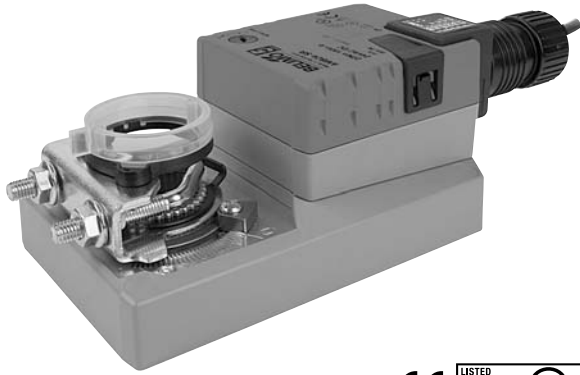


# AMB(X)24-3(-S)(-T)

On/Off, Floating Point, Non-Spring Return, 24 V



Technical Data	AMB(X)24-3(-S)(-T)
Power supply	24 VAC $\pm$ 20% 50/60 Hz 24 VDC $\pm$ 10%
Power consumption	2.5 W (0.5 W)
Transformer sizing	5.5 VA (Class 2 power source)
Electrical connection	3 ft, 18 GA plenum rated cable 3 ft, 18 GA appliance rated cable (-S) 1/2" conduit connector protected NEMA 2 (IP54)
Overload protection	electronic throughout 0 to 95° rotation
Control	on/off, floating point
Input impedance	600 $\Omega$
Angle of rotation	max. 95°, adjust. with mechanical stop
Torque	180 in-lb [20 Nm]
Direction of rotation	reversible with  switch
Position indication	reflective visual indicator (snap-on)
Manual override	external push button
Auxiliary switch (-S models)	1 x SPDT, 3A (0.5A) @ 250 VAC adj. 0 to 100%, UL approved
Running time	95 seconds, constant independent of load
Humidity	5 to 95% RH non condensing (EN 60730-1)
Ambient temperature	-22°F to 122°F [-30°C to 50°C]
Storage temperature	-40°F to 176°F [-40°C to 80°C]
Housing	NEMA 2, IP54, UL enclosure type 2
Housing material	UL94-5VA
Agency listings†	cULus acc. to UL 60730-1A/-2-14, CAN/CSA E60730-1:02, CE acc. to 2004/108/EEC and 2006/95/EC
Noise level	<45dB(A)
Servicing	maintenance free
Quality standard	ISO 9001
Weight	2.2 lbs [1000 Kg] AMB24-3 2.4 lbs [1050 Kg] AMB24-3-S

AMB(X)24-3-T	
Electrical connection	screw terminal (for 26 to 14 GA wire) unprotected (NEMA 1/IP20)

†Rated Impulse Voltage 800V, Type of action 1, (1.B for -S version), Control Pollution Degree 3.

Torque min. 180 in-lb for control of damper surfaces up to 45 sq ft.

## Application

For on/off and floating point control of dampers in HVAC systems. Actuator sizing should be done in accordance with the damper manufacturer's specifications.

The actuator is mounted directly to a damper shaft up to 1.05" in diameter by means of its universal clamp, self-centered default. A crank arm and several mounting brackets are available for applications where the actuator cannot be direct coupled to the damper shaft.

## Operation

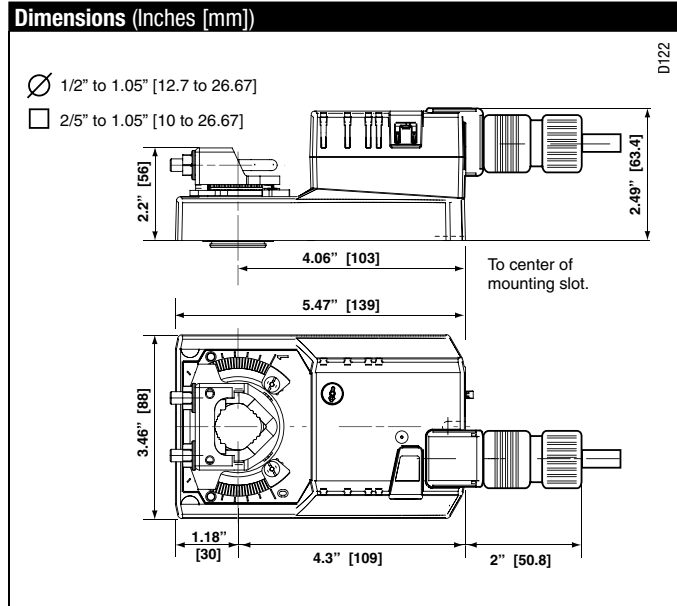
The actuator is not provided with and does not require any limit switches, but is electronically protected against overload. The anti-rotation strap supplied with the actuator will prevent lateral movement.

The AM... series provides 95° of rotation and a visual indicator indicates position of the actuator. When reaching the damper or actuator end position, the actuator automatically stops. The gears can be manually disengaged with a button on the actuator cover.

The AM...24-3... actuators use a sensorless brushless DC motor, which is controlled by an Application Specific Integrated Circuit (ASIC). The ASIC monitors and controls the actuator's rotation and provides a digital rotation sensing (DRS) function to prevent damage to the actuator in a stall condition. Power consumption is reduced in holding mode.

The AM...24-3-S version is provided with 1 built-in auxiliary switch. This SPDT switch is provided for safety interfacing or signaling, for example, for fan start-up. The switching function is adjustable 0 to 95°. The auxiliary switch is double insulated so an electrical ground connection is not necessary.

Add-on auxiliary switches or feedback potentiometers are easily fastened directly onto the actuator body for signaling and switching functions.



M40024 - 05/10 - Subject to change. © Belimo Aircontrols (USA), Inc.

Accessories	
K-SA	Reversible Clamp
ZG-100	Universal Mounting Bracket
ZG-101	Universal Mounting Bracket
ZG-103	Universal Mounting Bracket
ZG-104	Universal Mounting Bracket
Z-SMA	AM/SM to AM Retrofit Mounting Bracket
ZG-NMA	Crank arm Adaptor Kit
AV8-25	Universal Shaft Extension
ZG-JSA (-1, 2,3)	Jackshaft Adaptors for Hollow Jackshafts
ZS-T	Terminal Cover for NEMA 2
ZS-100	Weather Shield - Steel
ZS-150	Weather Shield - Polycarbonate
ZS-260	Explosion Proof Housing
ZS-300 (-1) (-5)	NEMA 4X Housing
Tool-06	8 mm & 10 mm Wrench
PS-100	Actuator Power Supply Simulator
S1A, S2A	Auxiliary Switch (es)
P370	Shaft Mount Auxiliary Switch
P...A	Feedback Potentiometers

**NOTE:** When using AM...24-3... actuators, only use accessories listed on this page.

### Typical Specification

Floating point, on/off control damper actuators shall be electronic direct-coupled type, which require no crank arm and linkage and be capable of direct mounting to a shaft up to 1.05" diameter. Actuators shall have brushless DC motor technology and be protected from overload at all angles of rotation. Actuators shall have reversing switch and manual override on the cover. If required, actuators shall be provided with one adjustable SPDT auxiliary switch. Actuators with auxiliary switches must be constructed to meet the requirements for double insulation so an electrical ground is not required to meet agency listings. If required, actuators will be provided with a screw terminal strip for electrical connections (AMX24-3-T). Run time shall be constant and independent of torque. Actuators shall be cULus listed, have a 5-year warranty, and be manufactured under ISO 9001 International Quality Control Standards. Actuators shall be as manufactured by Belimo.

### Wiring Diagrams

#### ✂️ INSTALLATION NOTES

1 Provide overload protection and disconnect as required.

3 Actuators may also be powered by 24 VDC.

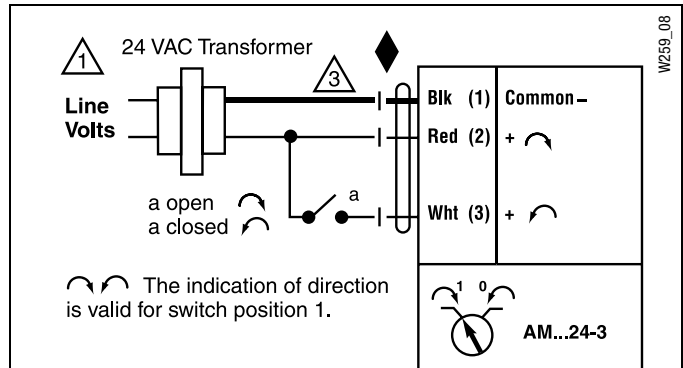
For end position indication, interlock control, fan startup, etc., AMB24-3-S incorporates one built-in auxiliary switches: 1 x SPDT, 3A (0.5A) @250 VAC, UL Approved, adjustable 0 to 95.

#### 📄 APPLICATION NOTES

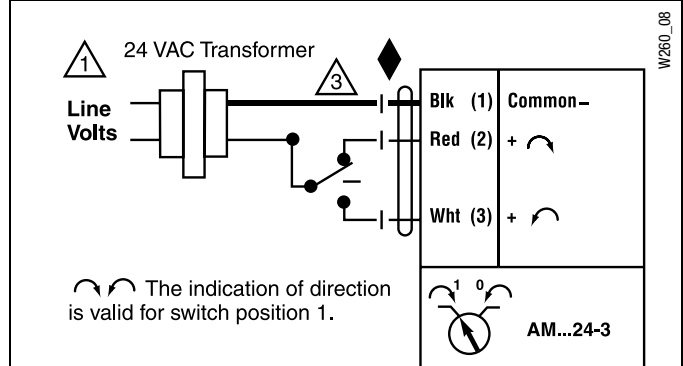
◆ Meets cULus or UL and CSA Standard requirements without the need of an electrical ground connection.

#### ⚠️ WARNING Live Electrical Components!

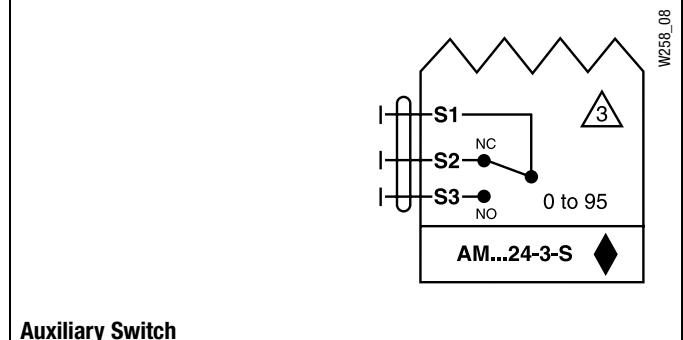
During installation, testing, servicing and troubleshooting of this product, it may be necessary to work with live electrical components. Have a qualified licensed electrician or other individual who has been properly trained in handling live electrical components perform these tasks. Failure to follow all electrical safety precautions when exposed to live electrical components could result in death or serious injury.



#### On/Off control



#### Floating Point or On/Off control



#### Auxiliary Switch



### GMB...

#### B = Basic stocked product

- Standard 150 second run time.
- Standard 3/4" to 1.05" clamp.
- Standard 3' plenum cable with conduit connector.

Typical Lead Time: 1 day

### GMX...

#### X = Customizable product

- Choice of 10' or 16' cable with conduit connector.
- Option of 3' right angle cables for tight spaces (-3 version only).
- Factory programming for run time, control signal and feedback.

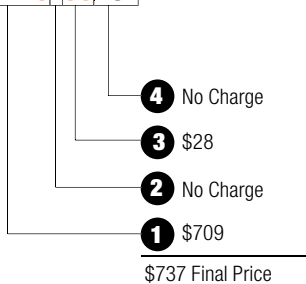
Typical Lead Time: 3 days or less

Reorder number consists of options which differ from standard product. This number is printed on the actuator for easy reordering.

For example:

#### Reorder # for a GMX24-MFT

is: **GM1101C3A01**



## 1 ACTUATOR TYPE

## 2 CLAMP

TYPE	Size	Actuator Series	List Price
Standard Universal Clamp	5/8"	LMX	No Charge
	3/8"	LMX	No Charge
	1/2"	LMX	No Charge
	3/4"	LMX	No Charge
	1/2" to 1.05"	GMX, AMX, NMX	No Charge
	1/2" to 3/4" Reversible	AMX, NMX	\$16
	8 mm to 12 mm	LUX	No Charge
	8 mm to 12 mm with end stop	LUX	No Charge
	Formfit 8 mm X 8 mm	LUX	No Charge
	Formfit 10 mm X 10 mm	LUX	No Charge
Formfit 12 mm X 12 mm	LUX	No Charge	

## 3 CABLES

CABLE (with conduit fitting)	Size	Actuator Series	Cable Code	List Price
24V Plenum Rated	3 ft.	All Non-Spring Return	C1	No Charge
	10 ft.	All Non-Spring Return	C3	\$28
	16 ft.	All Non-Spring Return	C5	\$48
120V Appliance Rated	3 ft.	All Non-Spring Return	A1	No Charge
	10 ft.	All Non-Spring Return	A3	\$28
	16 ft.	All Non-Spring Return	A5	\$48

## 4 PROGRAM

	Running Time	Control Input	Feedback	Actuator Series	Program Code	List Price
-3	150 seconds	On/Off, Floating Point	-	GMX, AMX, NMX, LMX, AHX, LHX, LUX	000	No Charge
	95 seconds	On/Off, Floating Point	-	AMX, NMX, LMX, LHX	002	No Charge
	45 seconds	On/Off, Floating Point	-	LMX	004	No Charge
	35 seconds	On/Off, Floating Point	-	LMX	005	No Charge
-SR	150 seconds	2-10 VDC	2-10 VDC	GMX, AMX, NMX, LMX, AHX, LHX, LUX	000	No Charge
	95 seconds	2-10 VDC	2-10 VDC	AMX, NMX, LMX, LHX, LUX	002	No Charge
-MFT	150 seconds	2-10 VDC	2-10 VDC	GMX, AMX, NMX, LMX, AHX, LHX, LUX	A01	No Charge
	150 seconds	0.5-10 VDC	0.5-10 VDC	GMX, AMX, NMX, LMX, AHX, LHX	A02	No Charge
	150 seconds	0.5-10 VDC	2-10 VDC	LUX	A45	No Charge
	150 seconds	8-20 VDC	2-10 VDC	AHX, LHX	AAL	No Charge
	100 seconds	0.5-10 VDC	0.5-10 VDC	AMX, NMX, LMX	A28	No Charge
	95 seconds	0.5-10 VDC	0.5-10 VDC	NMX	ACA	No Charge
	150 seconds	6-9 VDC	2-10 VDC	LUX	A56	No Charge
	95 seconds	2-10 VDC	2-10 VDC	GMX	A91	No Charge
	150 seconds	Floating Point	2-10 VDC	GMX, AMX, NMX, LMX, AHX, LHX, LUX	F01	No Charge
	150 seconds	On/Off	2-10 VDC	GMX, AMX, NMX, LMX, AHX, LHX, LUX	J02	No Charge
	150 seconds	PWM (0.02-5 sec)	2-10 VDC	GMX, AMX, NMX, LMX, AHX, LHX	W02	No Charge
	150 seconds	PWM (0.1-25.5 sec)	2-10 VDC	AMX	W03	\$34

Multi-Function Technology offers a wide variety of programmable control inputs and feedback signals. Parameters can be set for voltage control (VDC), time proportional control (PWM), floating point, on/off and feedback signal. Parameters can be changed on-site to optimize/enable application. You can also set, modify or read position, running time, mechanical working range, address, status, and diagnostics.

For additional MFT programming codes, refer to MFT technical documentation or visit [www.belimo.us](http://www.belimo.us).